

ener safe

ener
safe

B-Bat RTH 6y10kva

User Manual

1. Instructure:

6-10kVA UPS battery pack dimension is W443*H131*D720mm. It includes battery connection cables, breaker, terminal, etc, with max. capacity of 20pcs 12V/7Ah or 12V/9Ah batteries inside. The battery connection could be configured to output $\pm 120V$, two groups batteries connect in series as BAT+, BATN、BAT - .

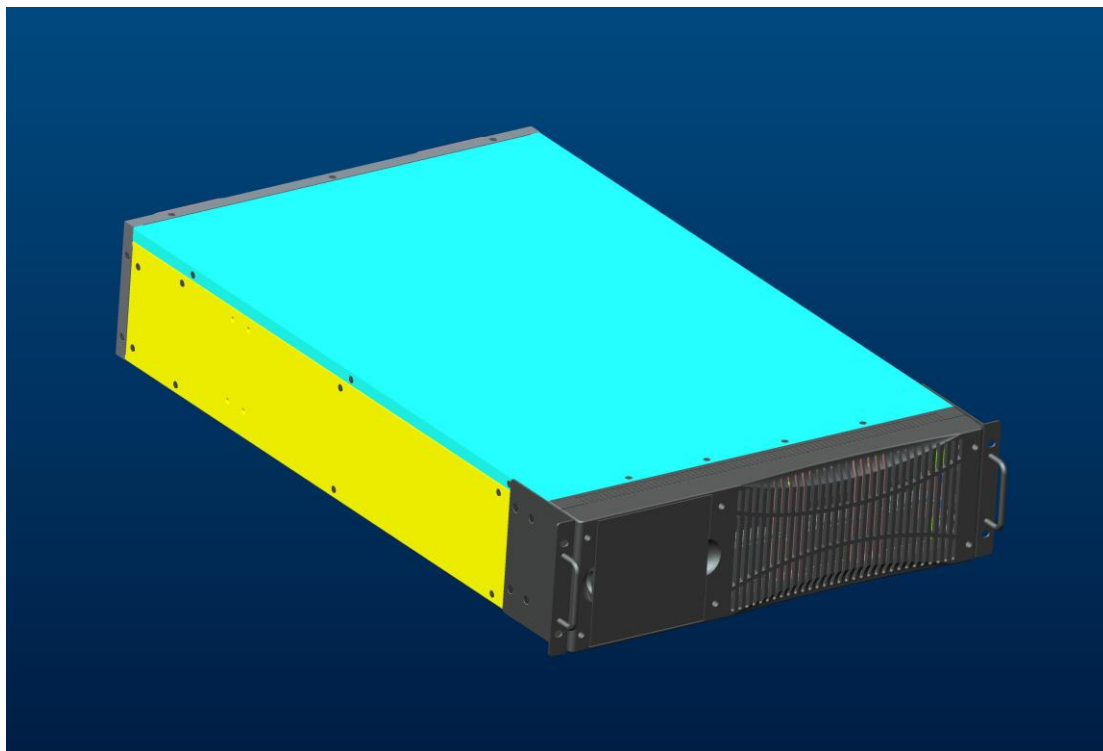


Fig.1 The complete battery pack cabinet

2. Assembly

2.1 Dismount the cabinet shell

Put the battery pack on a level, take off the plastic panel ,remove the battery tray top covers and transparent plastic box for easier battery installation and connection, as shown in Fig. 2 & Fig.3

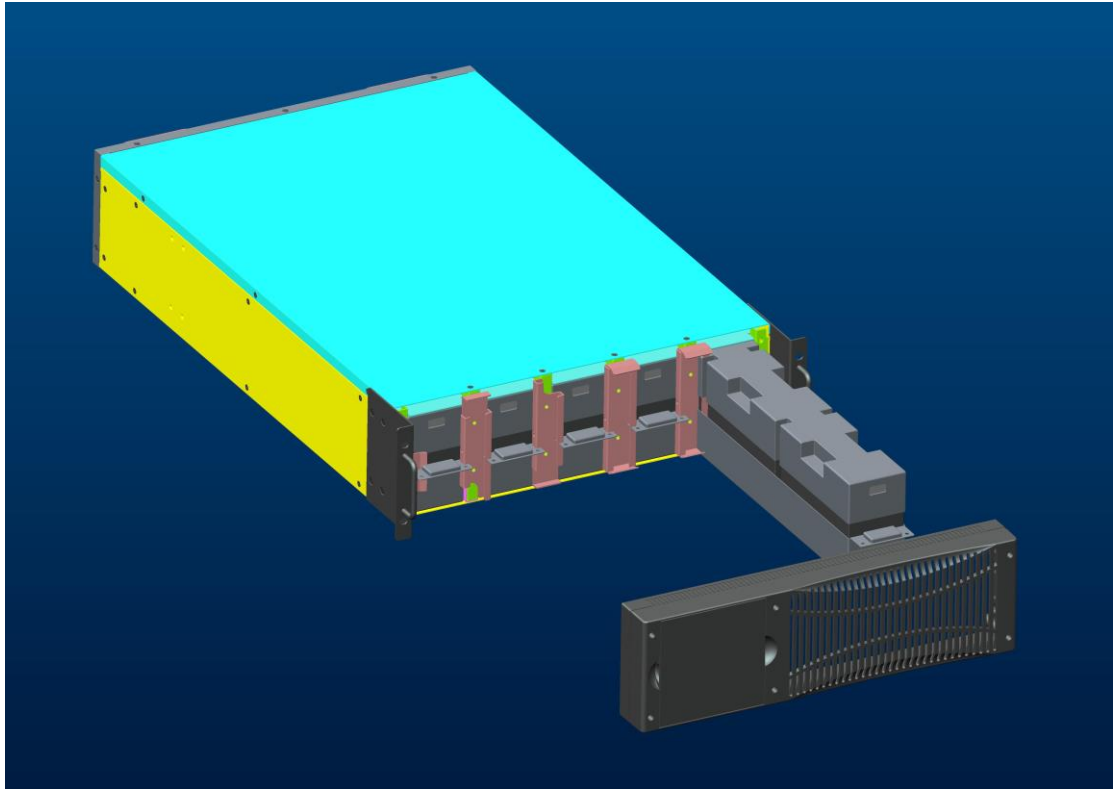


Fig.2

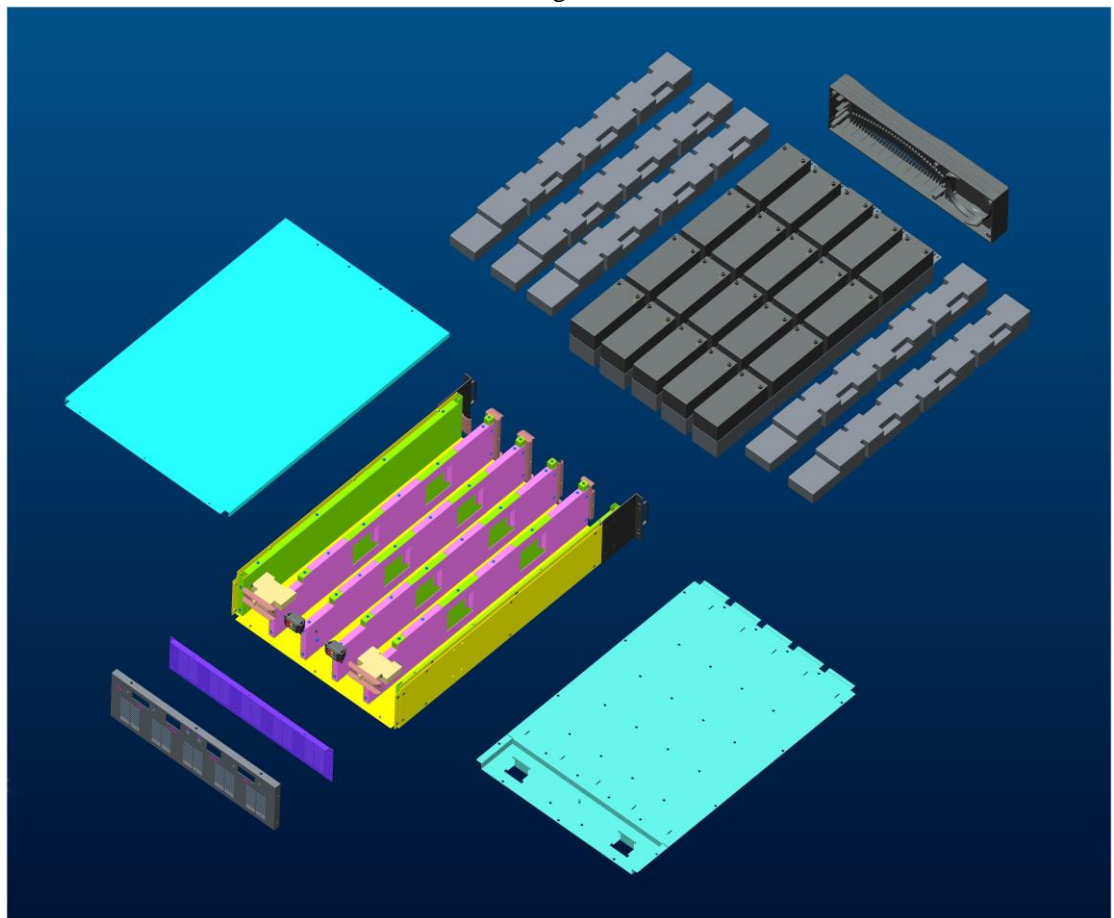


Fig.3

2.2 Battery installation and connection

Users need 20pcs batteries, divide into 2groups. Each group has 10pcs batteries in series, as (BAT+ BATN BAT-) shown below.

2.2.1 20pcs batteries installation and connection: There have five battery trays each fit 4pcs batteries, then connect the batteries as shown in below pictures.

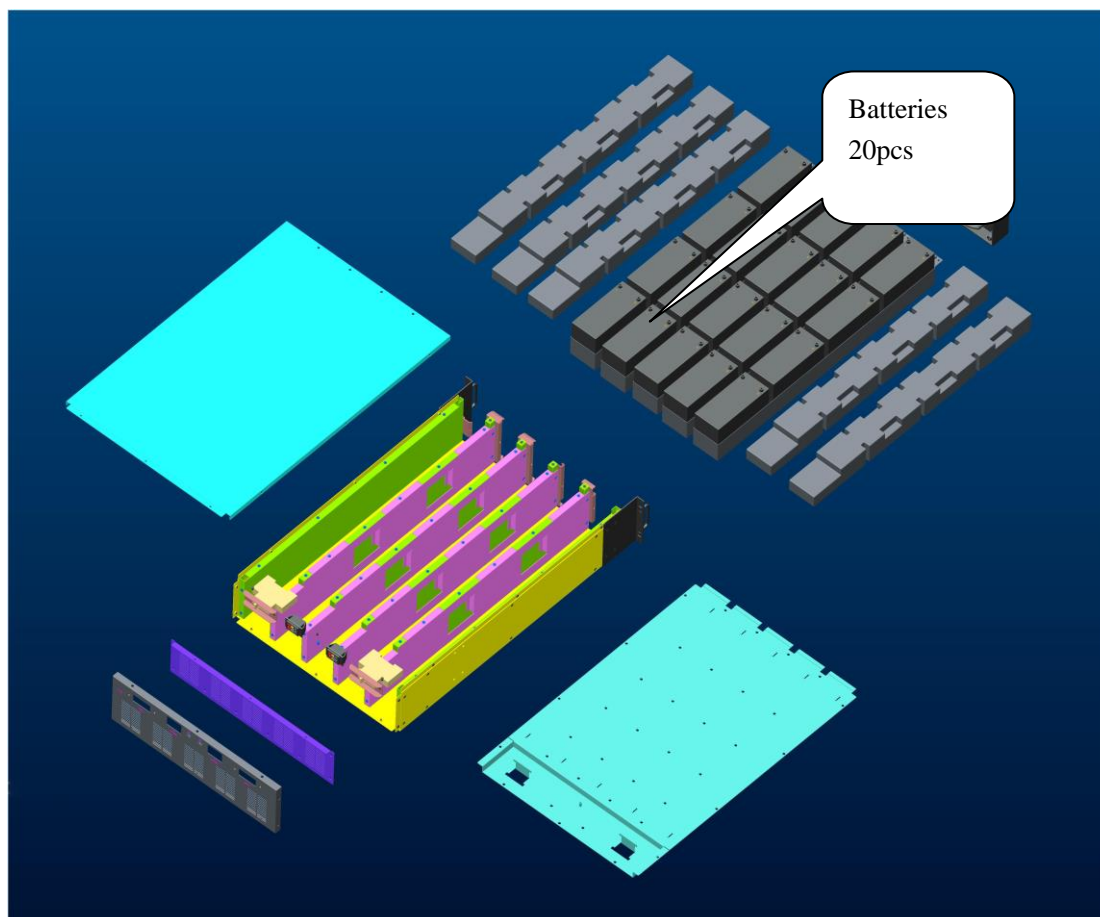


Fig. 4 (20pcs batteries installation)

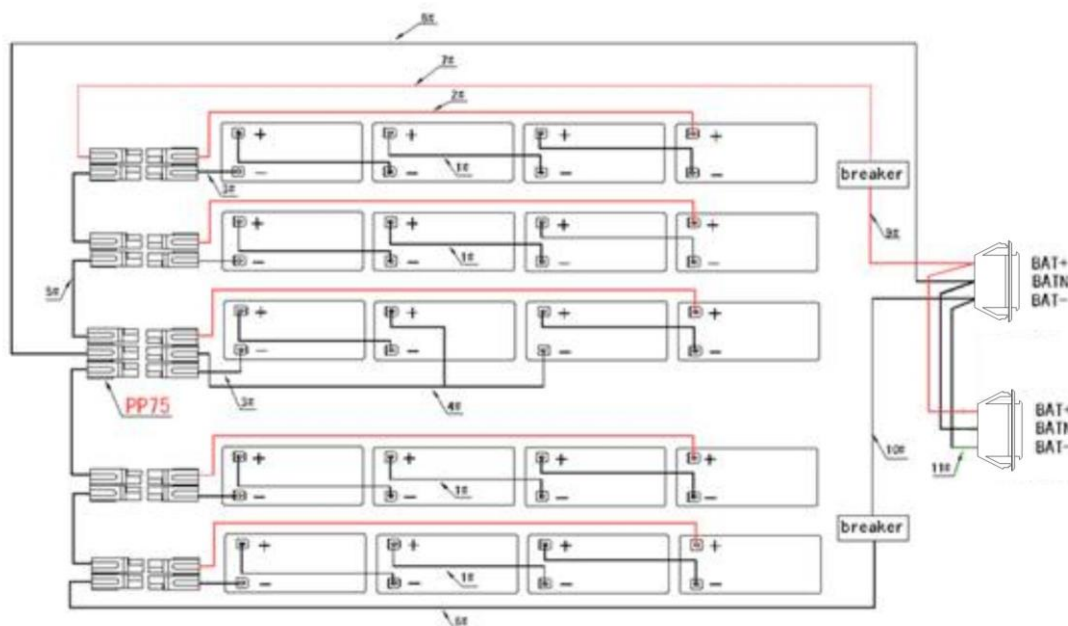


Fig. 5 (20pcs batteries connection)

2.2.2 After the battery installation and connection done, check if BAT+ to N & N to BAT- voltages are correct with multimeter or other equipments. Install the cover if the voltages are correct.

NOTE: Battery “+” “-” poles cannot be reversed, also cannot short the battery “+” “-” poles, otherwise batteries would be damaged or other accidents would happen. Don’t touch the battery “+” “-” poles at the same time. It’s better only single man make the operation.

3. Battery pack accessories

A complete of 6-10kVA UPS battery pack includes below accessories.

No.	Name	Specification	PCS
1	Cable 1#	Black wire 1015 10AWG 250mm 250TC*2	14
2	Cable 2#	Red wire 1015 10AWG 550mm 250TC+SB50+PA75B2-H PC2320	5
3	Cable 3#	Black wire 1015 10AWG 120mm 250TC+SB50+PA75B0-H PC2320	5
4	Cable 4#	2wires white 1015 10AWG 250/500mm 250TC*2+SB50+PA75B9-H PC2320	1
5	Cable 5#	Black 1015 10AWG 100mm SB50*2+PA75B2-H PC2320+PA75B0-H PC2320	4
6	Cable 6#	2wires white 1015 10/12AWG 920/920/70*2/70*2mm BN5.5*2+SB50+PA75B9-H PC2320+P30*4	1
7	Cable 7#	Red wire 1015 10AWG 700mm SB50+PA75B2-H PC2320+E6012	1
8	Cable 8#	Black wire 1015 10AWG 700mm SB50+PA75B0-H PC2320+E6012	1
9	Cable 9#	4wires Black 1015 12AWG 110/110/250/250mm P30*4+YI16	1
10	Cable 10#	4wires Red 1015 12AWG 110/110/250/250mm P30*4+YI16	1
11	Cable 11#	Green & Yellow 1015 12AWG 80mm OI5.5-6*2	1
12	Breaker	NDB2Z-63 C63/1 1P 63A/250VDC UL certified	2
13	Battery Pack	W483*H133*D735	1